



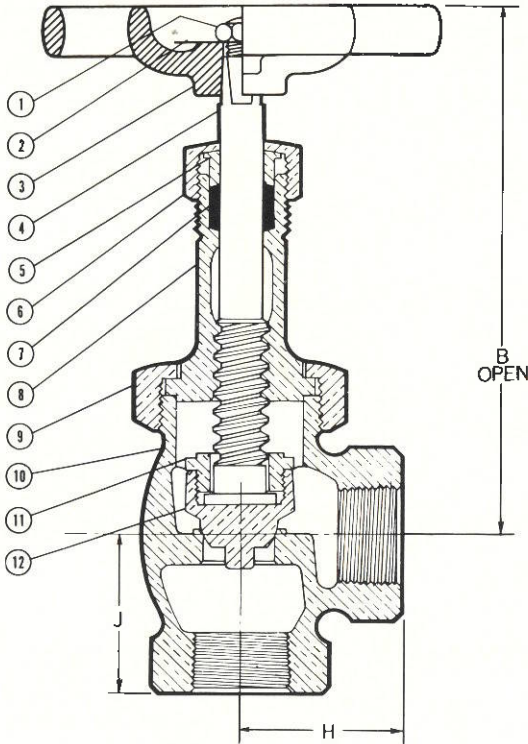
200 lb. swp bronze angle

Union Bonnet • Integral Seat • Renewable Discs

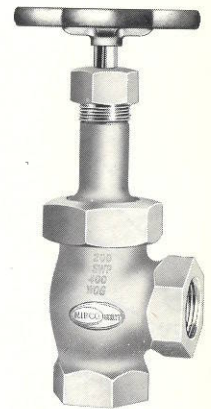
200 PSI Saturated Steam

400 PSI Non-Shock Cold Water, Oil, or Gas

Federal Specification: WW-V-51d Class C, Type II MATERIAL LIST



PART	SPECIFICATION
1. Handwheel Nut	Zinc Plated Steel with Clear Chromate or Bronze ASTM B-16
2. Identification Plate	Aluminum
3. Handwheel	Malleable Iron ASTM A-47-61 or Aluminum ASTM B-85 Alloy 13-B
4. Stem	Silicon Bronze ASTM B-371-62 Alloy A (Rod) or B-198 Alloy 13B
5. Packing Gland	Bronze ASTM B-62 or ASTM B-145-5A
6. Packing Nut	Bronze ASTM B-62 or ASTM B-145-5A
7. Packing	Teflon Impregnated Asbestos
8. Bonnet	Bronze ASTM B-61
9. Union Nut	Bronze ASTM B-61
10. Body	Bronze ASTM B-61
11. Disc Holder Nut	Bronze ASTM B-62
12. Seat Disc	Bronze ASTM B-61 (B) Steam (Teflon) (Y)
13. Seat Disc Nut	Bronze ASTM B-62
14. Disc Holder	Bronze ASTM B-61



T-355
threaded

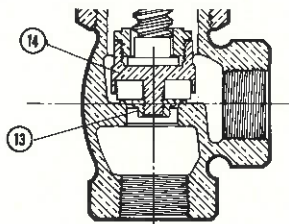
T-355-B F.S.P.S. to F.S.P.S.

DIMENSIONS — WEIGHTS — QUANTITIES

Nominal Size	Dimensions		Approx. Net WT.	Master Carton Qty.
	B	H & J		
¼†	4¾	1⅝	1.3	50
⅜†	4¾	1⅝	1.3	50
½†	4¾	1¾	1.6	50
¾	5¼	1⅞	2.9	20
1	7	2	4.2	20
1¼	7¾	2⅝	6.9	10
1½	7⅞	2½	7.9	10
2	9¼	3	12.8	5
2½	10¾	2¾	17.3	4
3	11¾	3⅞	23.4	2

† No packing gland, packing only these sizes.

ORDERING: T-355 is normally furnished with a Bronze Disc (T-355-B). Available with Teflon Steam Disc (T-355-Y).



T-355-Y F.S.P.S. to F.S.P.S.